



NOT TO SCALE


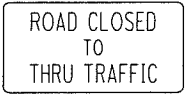
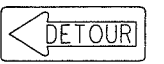




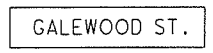
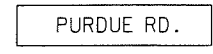
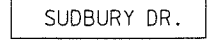
CALCULATED
GWA
CHECKED
LAS

**DETOUR PLAN
DOROTHY LANE BRIDGE**

**MOT-DOROTHY
LANE BRIDGE**

T TEMPORARY SIGN SUPPORT

++ TYPE III BARRICADE

-  ROAD CLOSED R11-2 48"x30"
-  ROAD CLOSED TO THRU TRAFFIC R11-4 60"x30"
-  DETOUR M4-10L 48"x18"
-  DETOUR M4-10R 48"x18"
-  DETOUR M4-9 30"x24"
-  DETOUR M4-9L 30"x24"
-  DETOUR M4-9R 30"x24"
-  GALEWOOD ST. D3-1
-  PURDUE RD. D3-1
-  SUDBURY DR. D3-1

